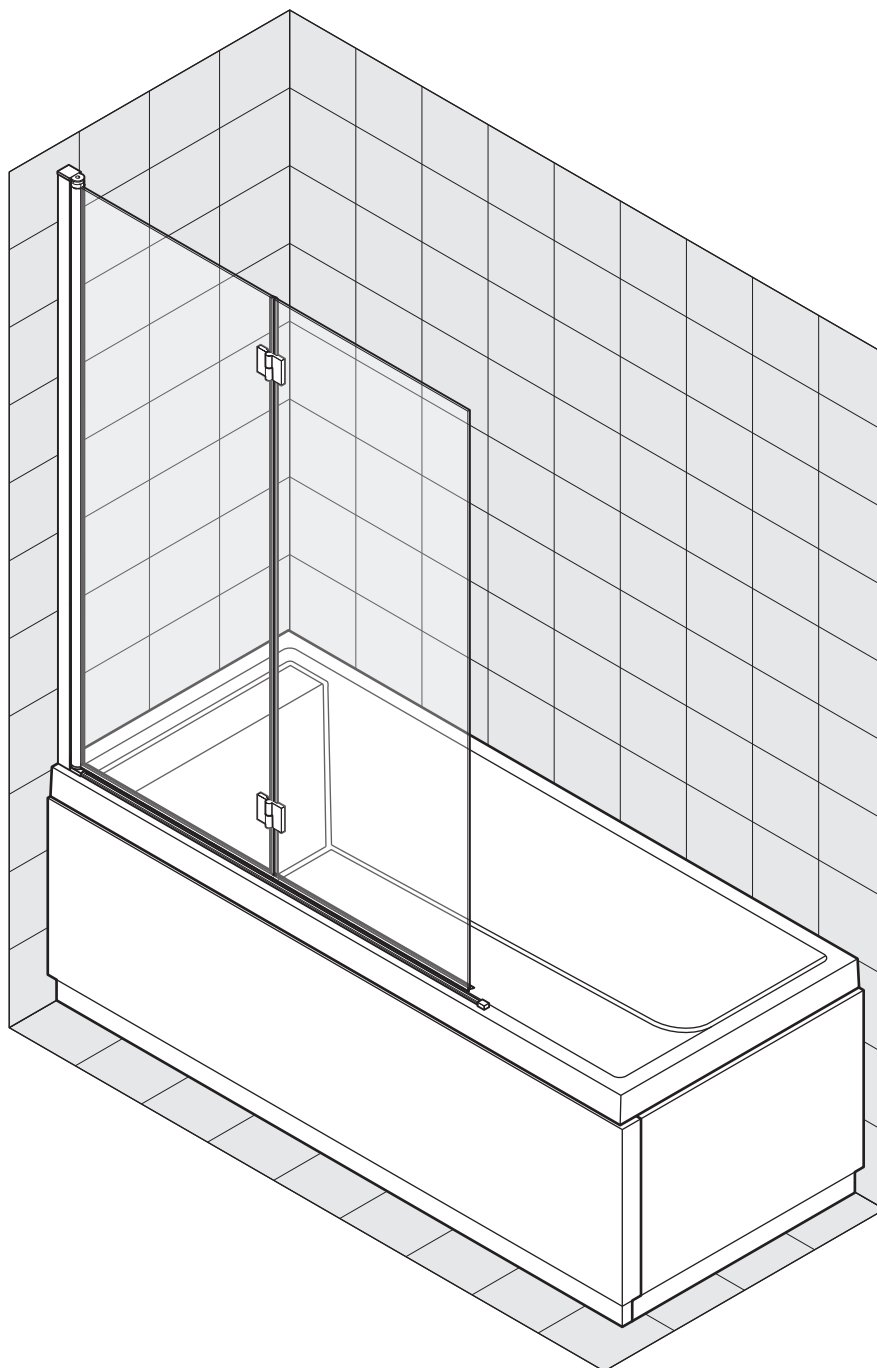
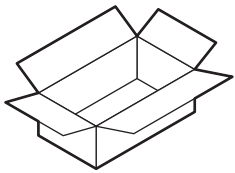
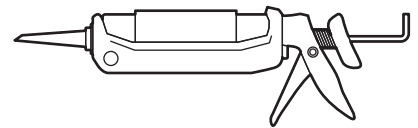
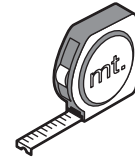
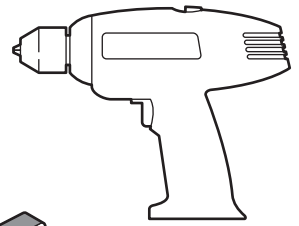
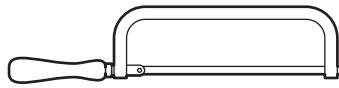
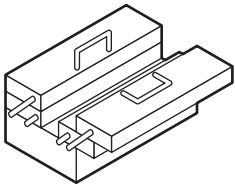


1BSV





x1



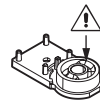
x1



x1



x1



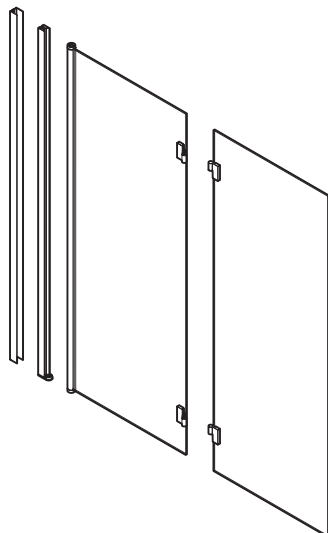
x1



x1



x1



FU8x50 x2



3,5x32 x2



3,5x9,5 x2



4,5x60 x2



M3x6 x4



ø2 x2



ø4 x4



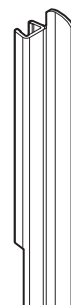
x2



x2



x2

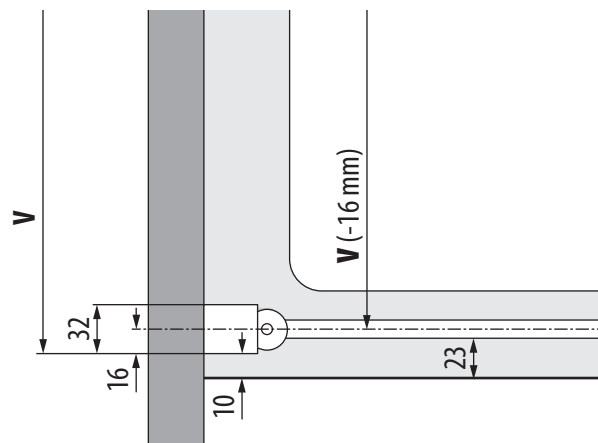
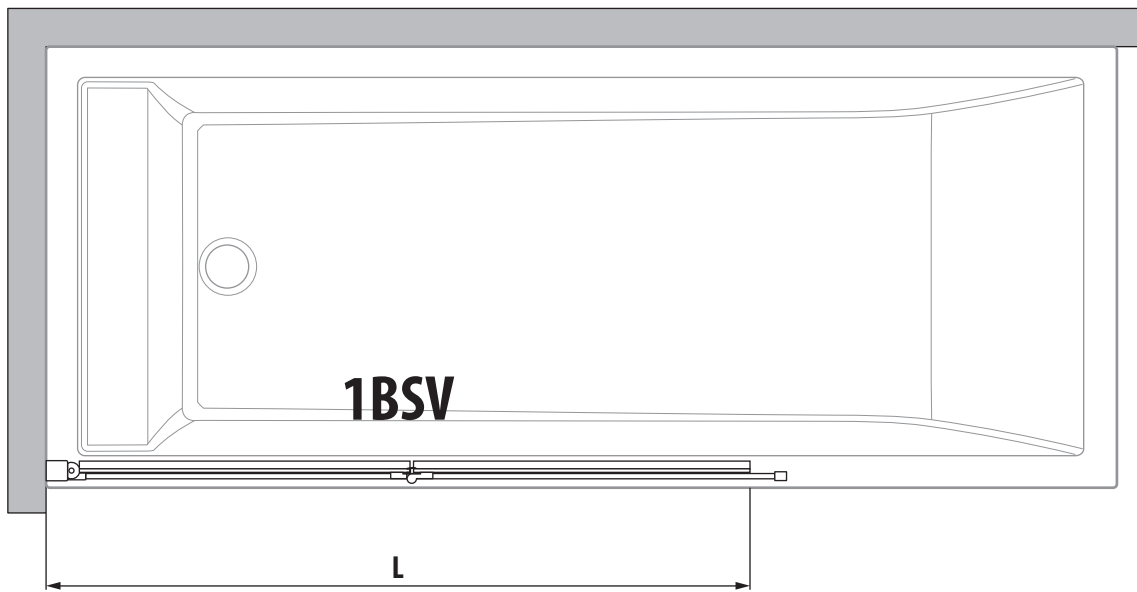


x1

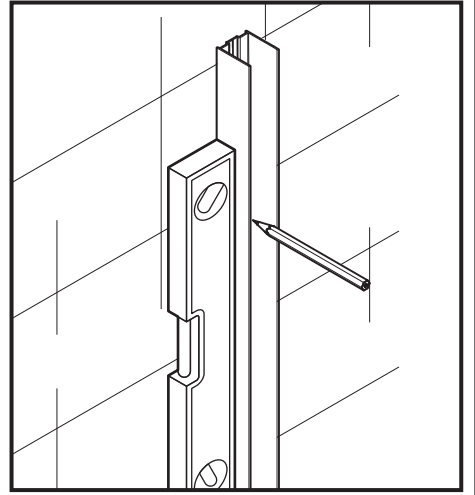
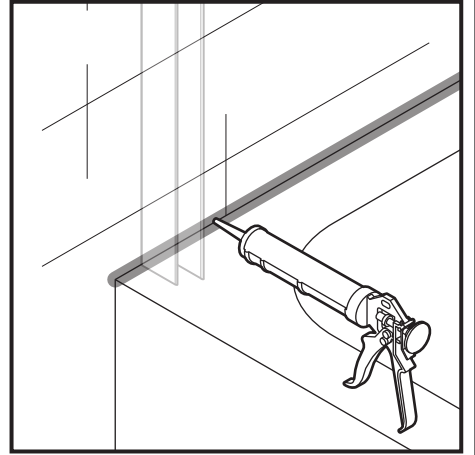
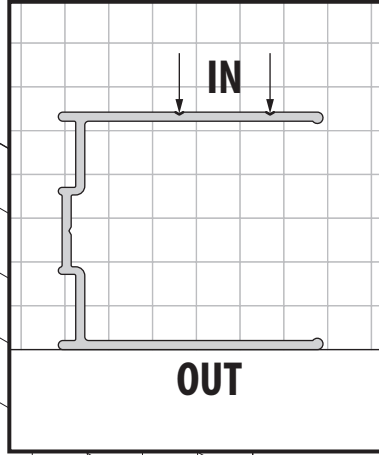
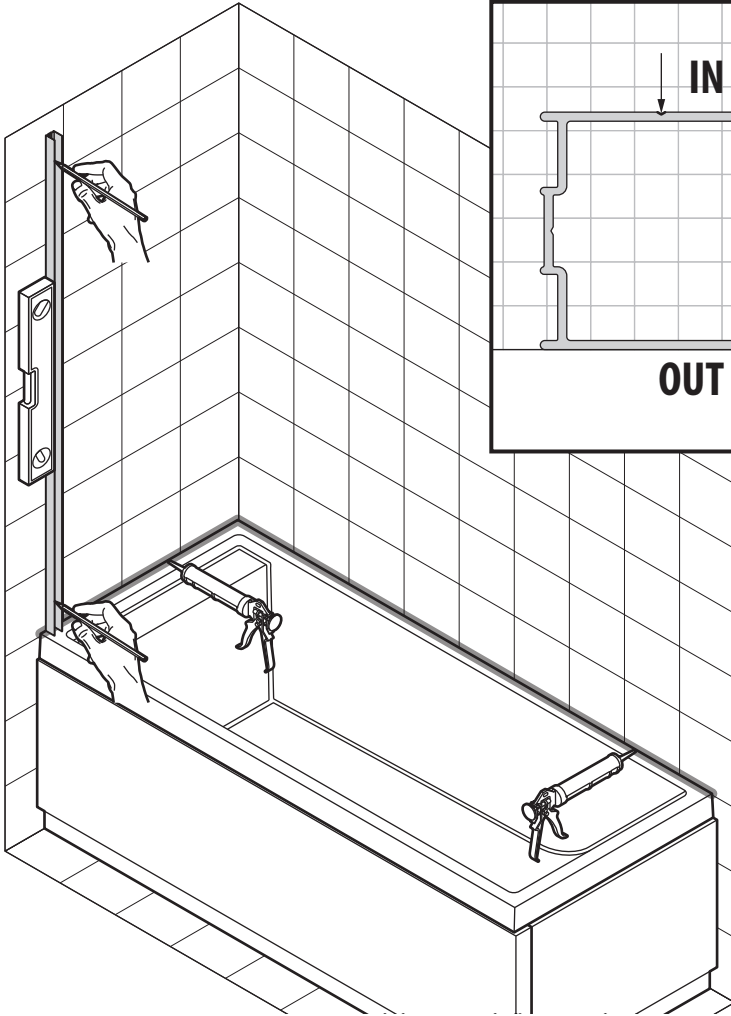


x1

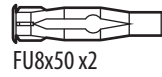
1BSV	L mm
120D	1200
120S	1200



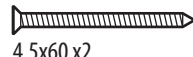
1



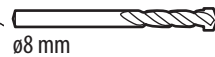
2



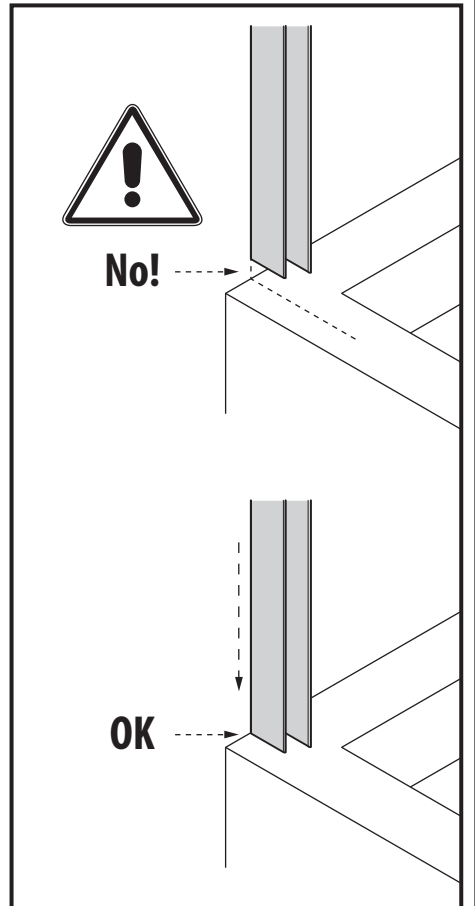
FU8x50 x2



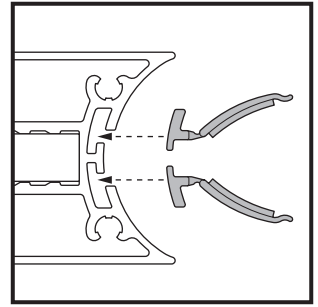
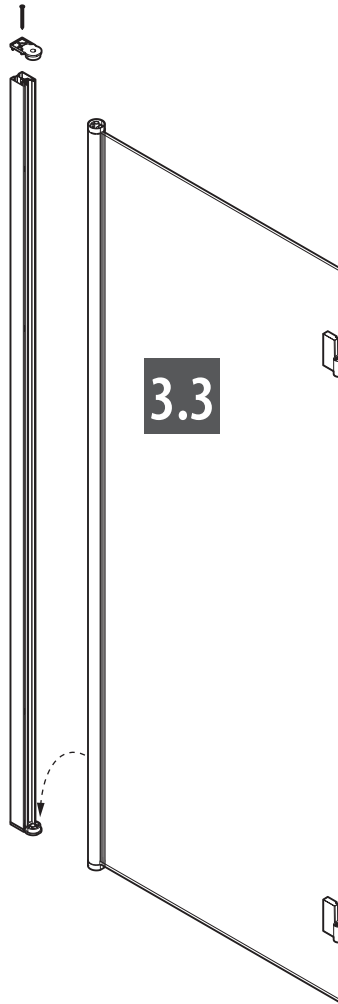
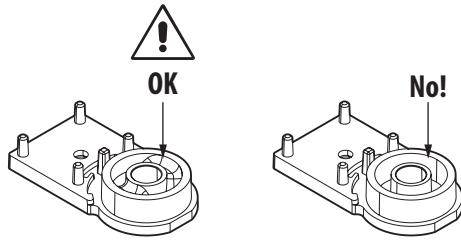
4,5x60 x2



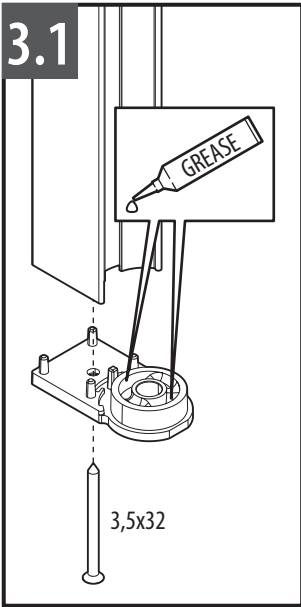
ø8 mm



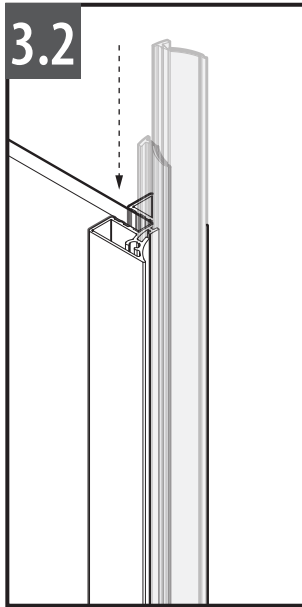
3



3.1



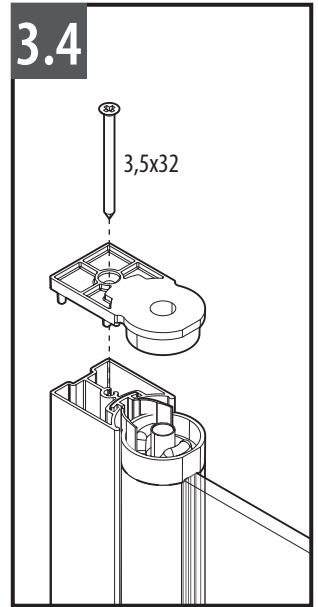
3.2



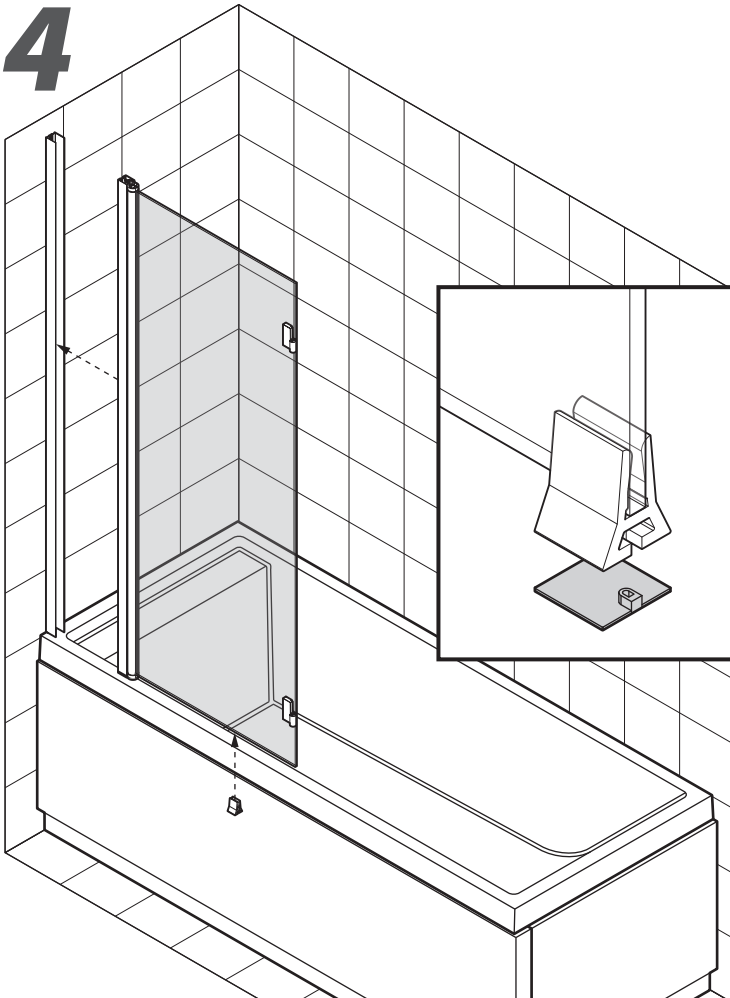
3.3



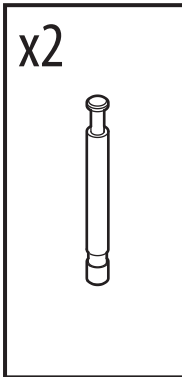
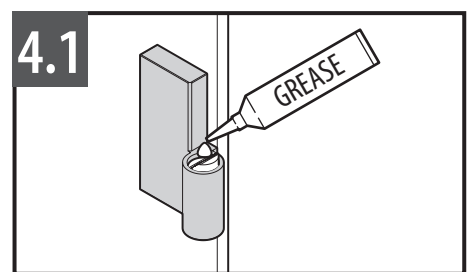
3.4



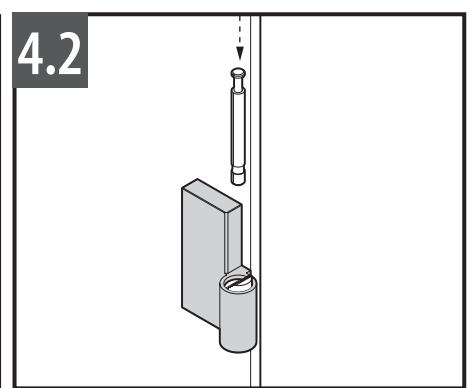
4



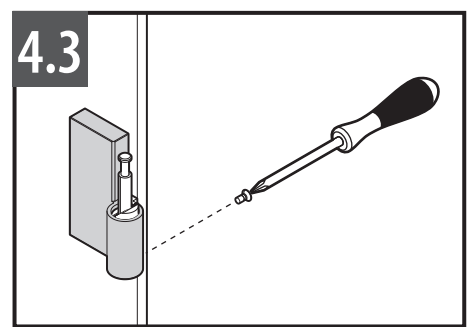
4.1



4.2



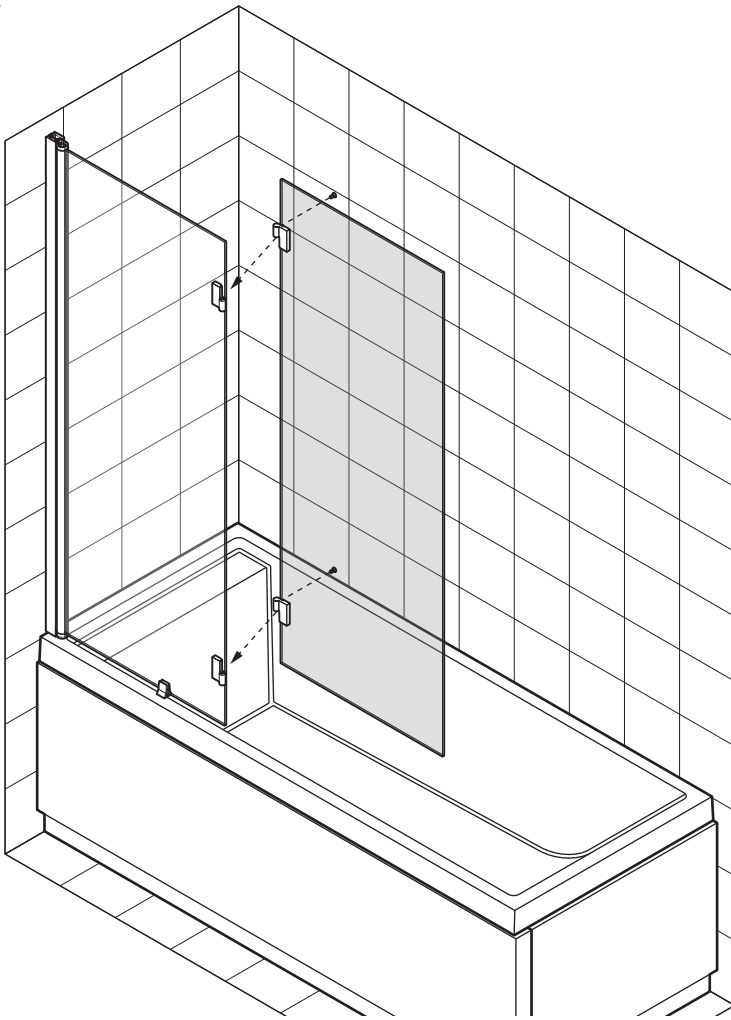
4.3



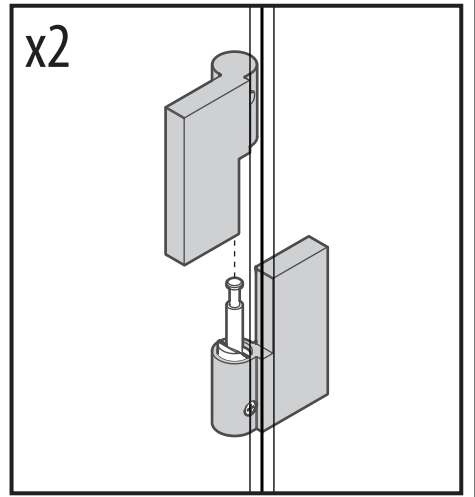
M3x6 x2

5

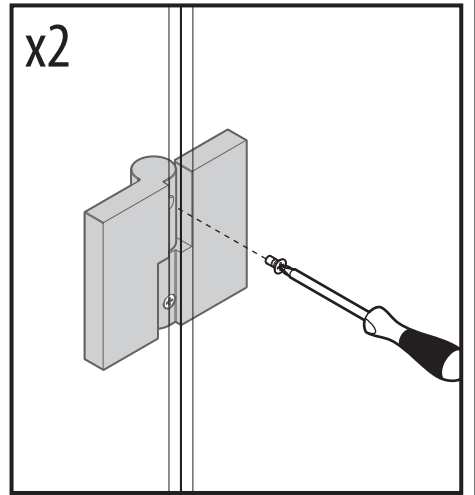
5



x2

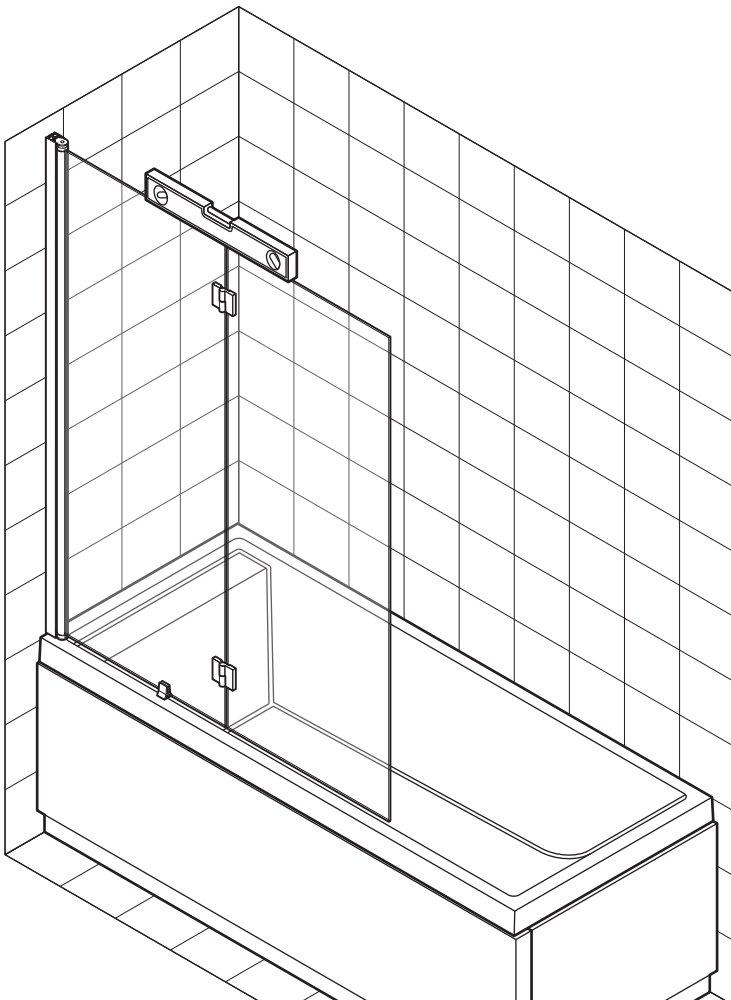


x2

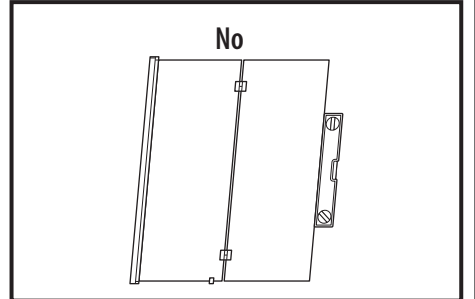



M3x6 x2

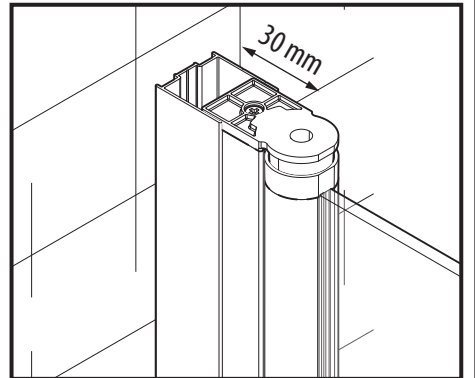
6



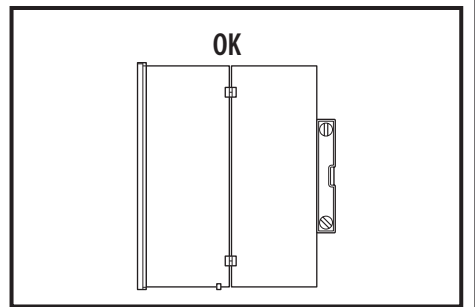
No



30 mm

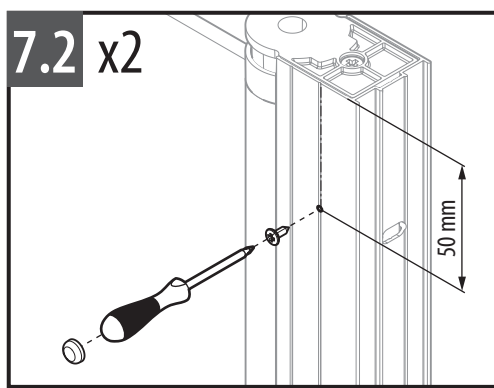
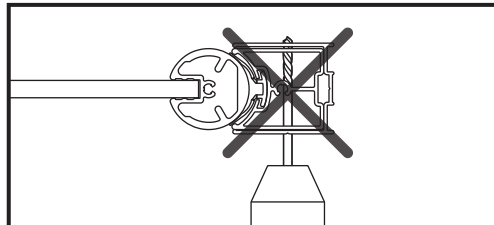
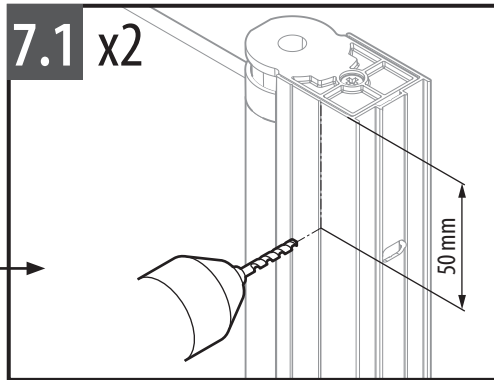
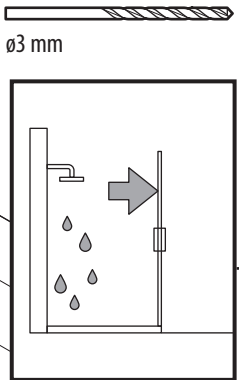
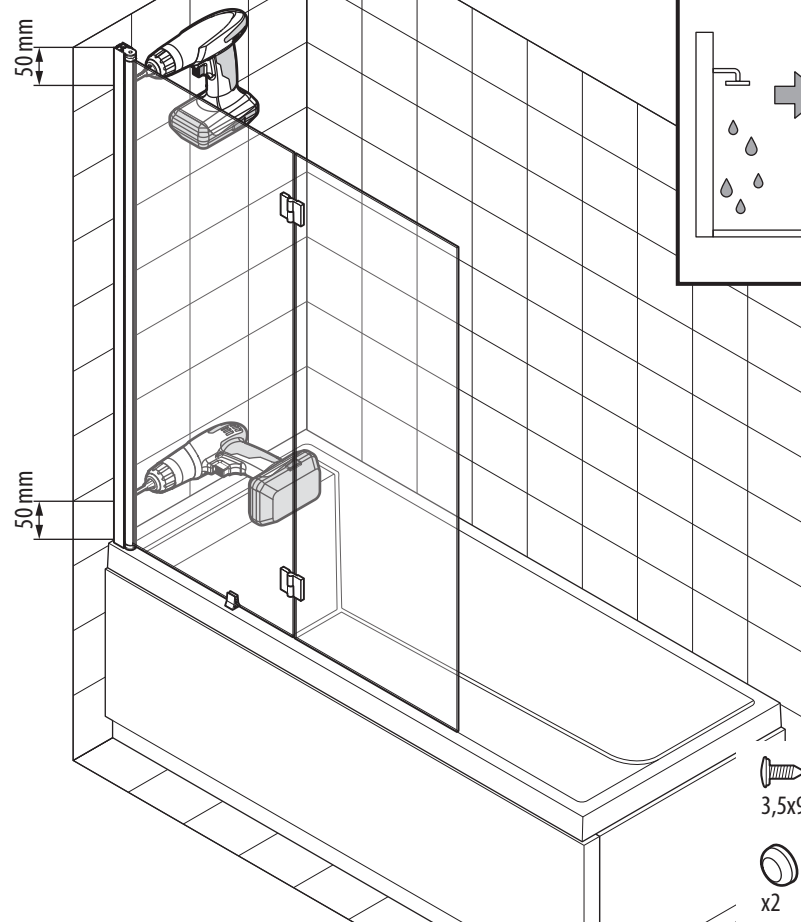


OK

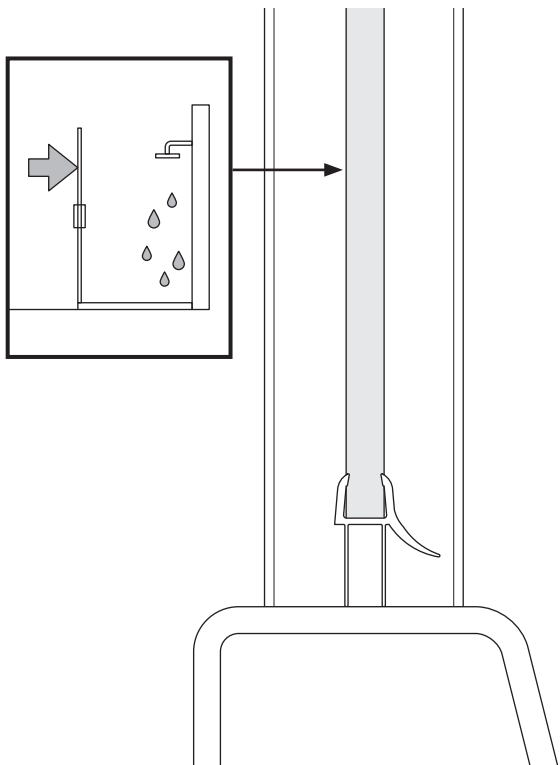


6

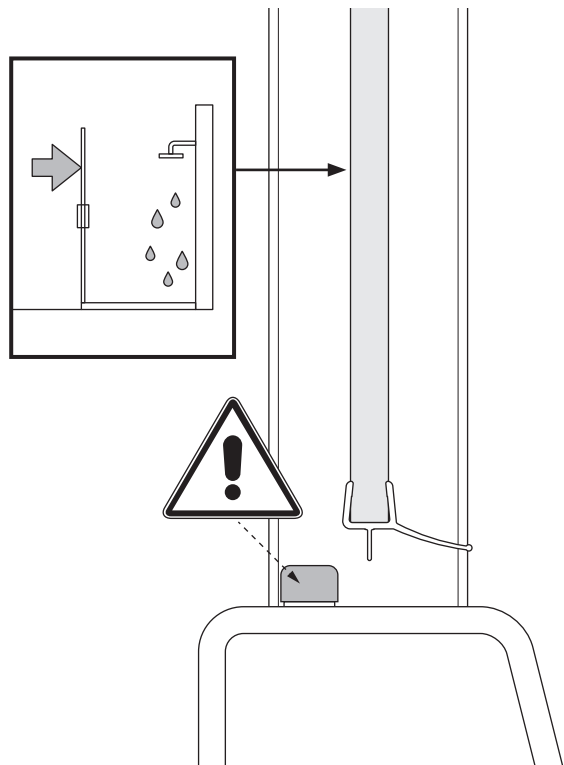
7



A

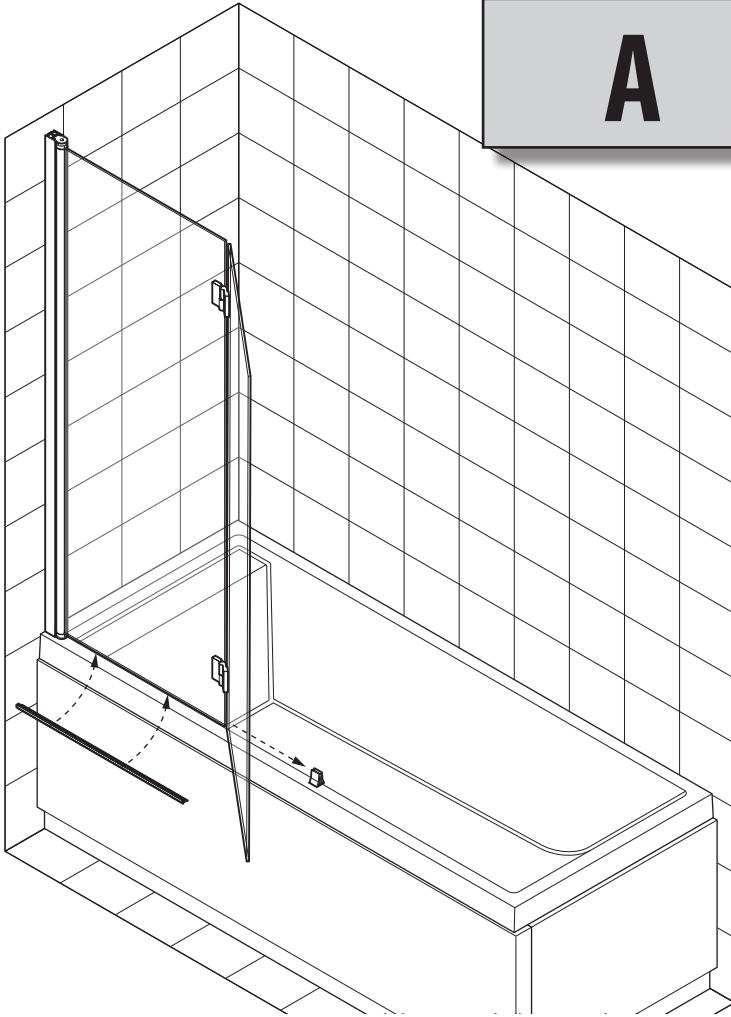


B

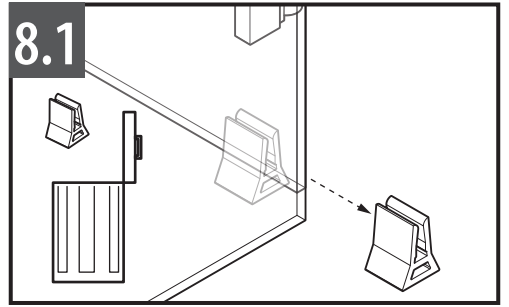


8

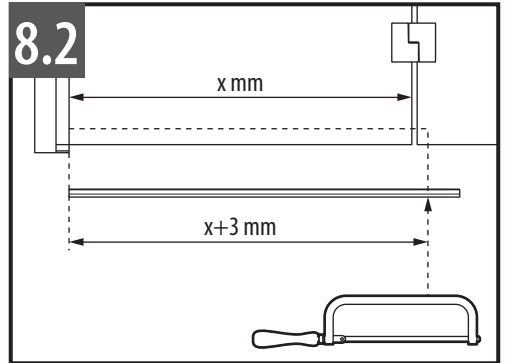
A



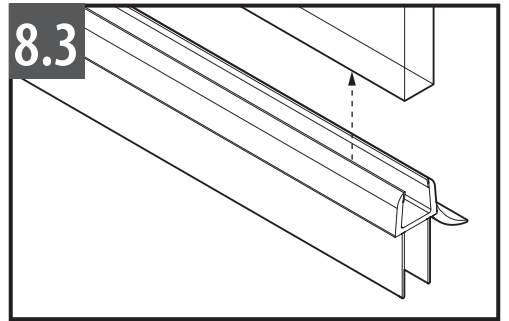
8.1



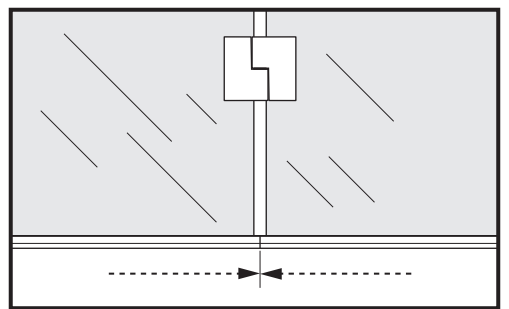
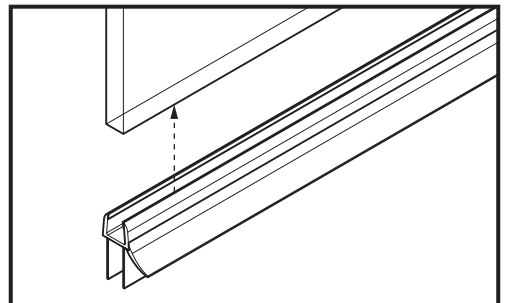
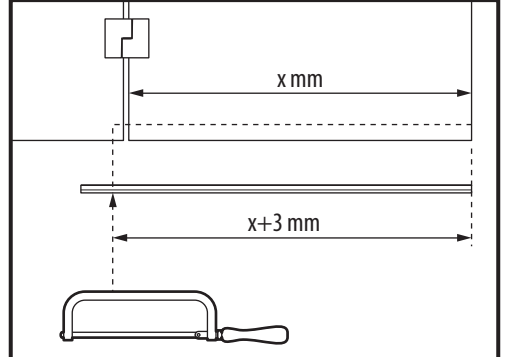
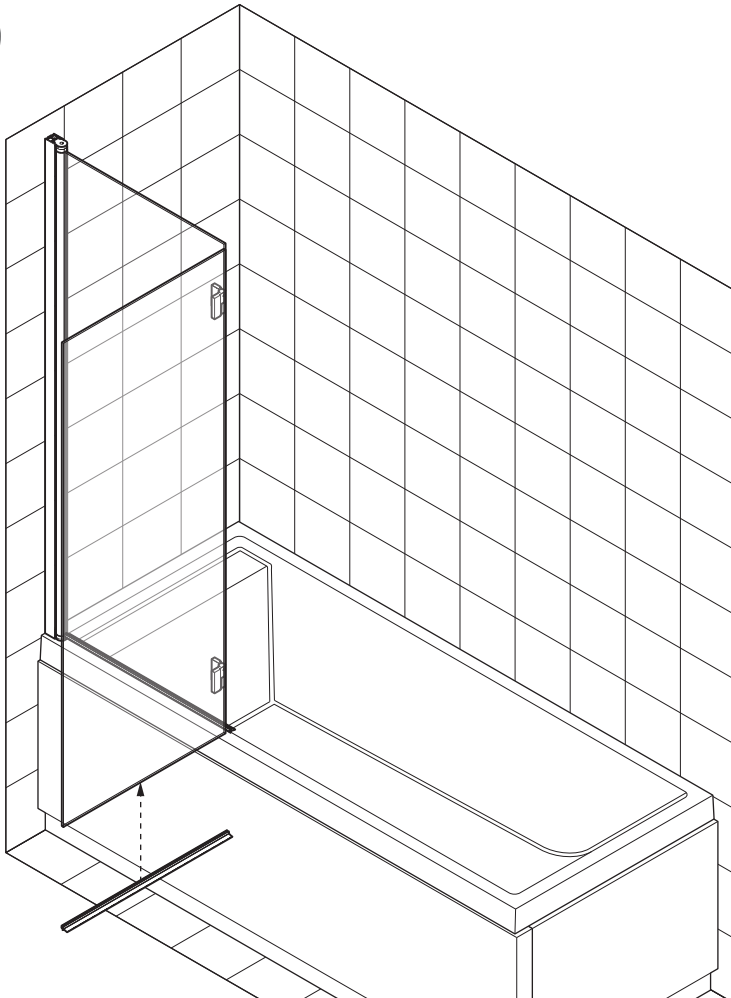
8.2



8.3

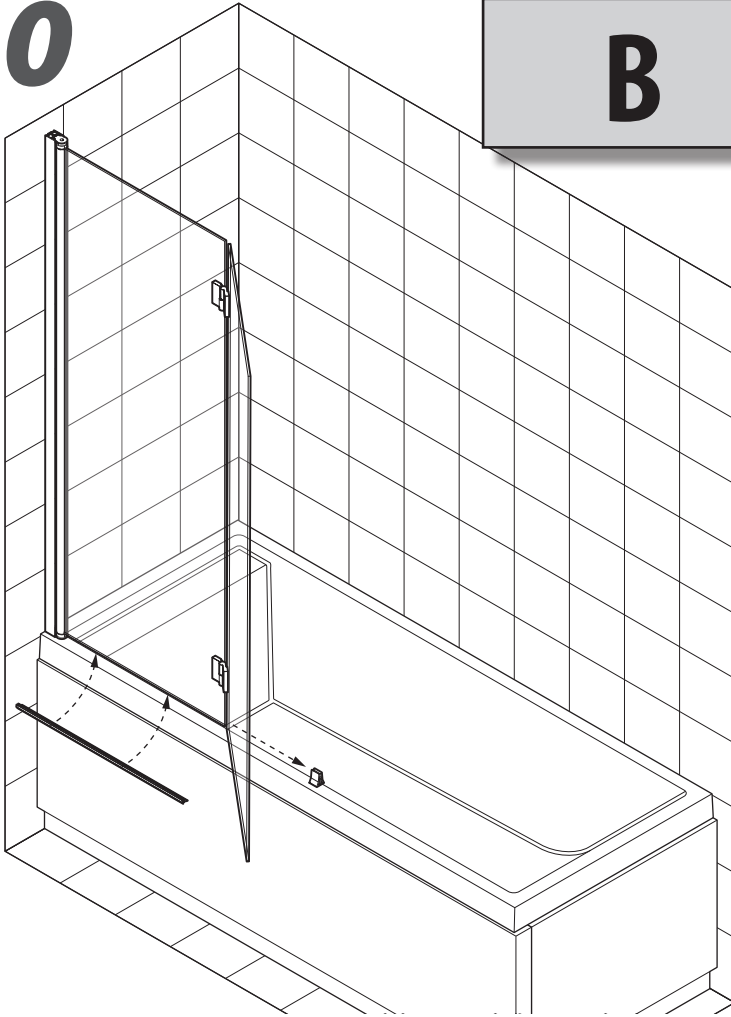


9

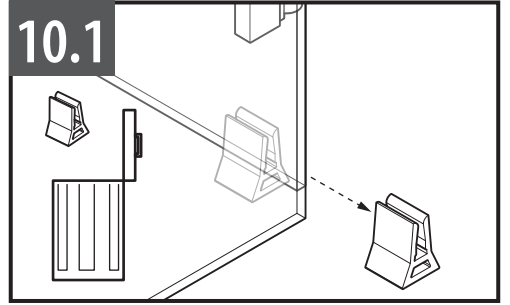


10

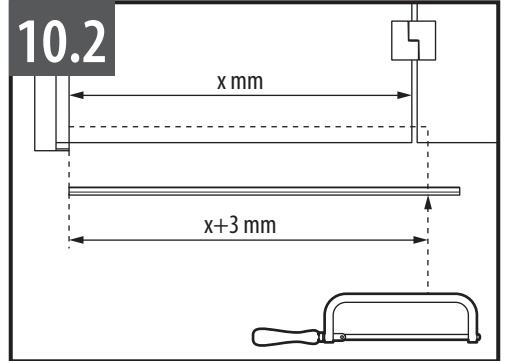
B



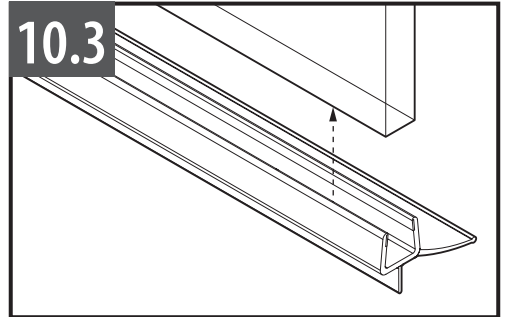
10.1



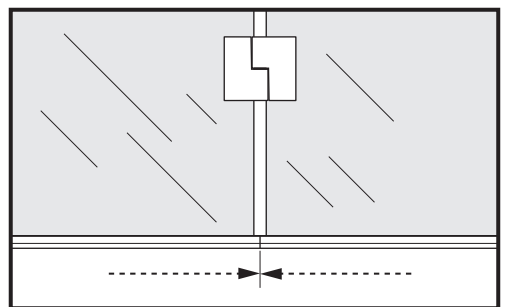
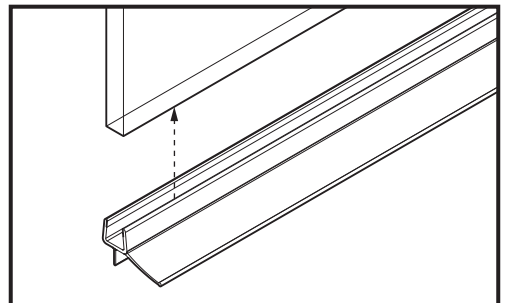
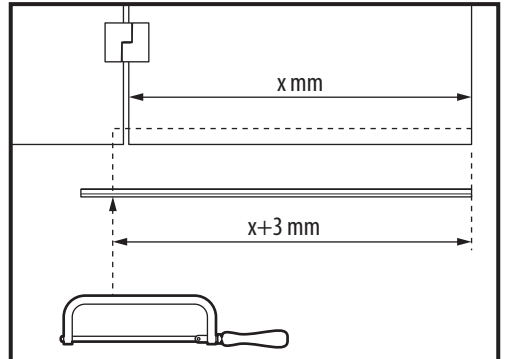
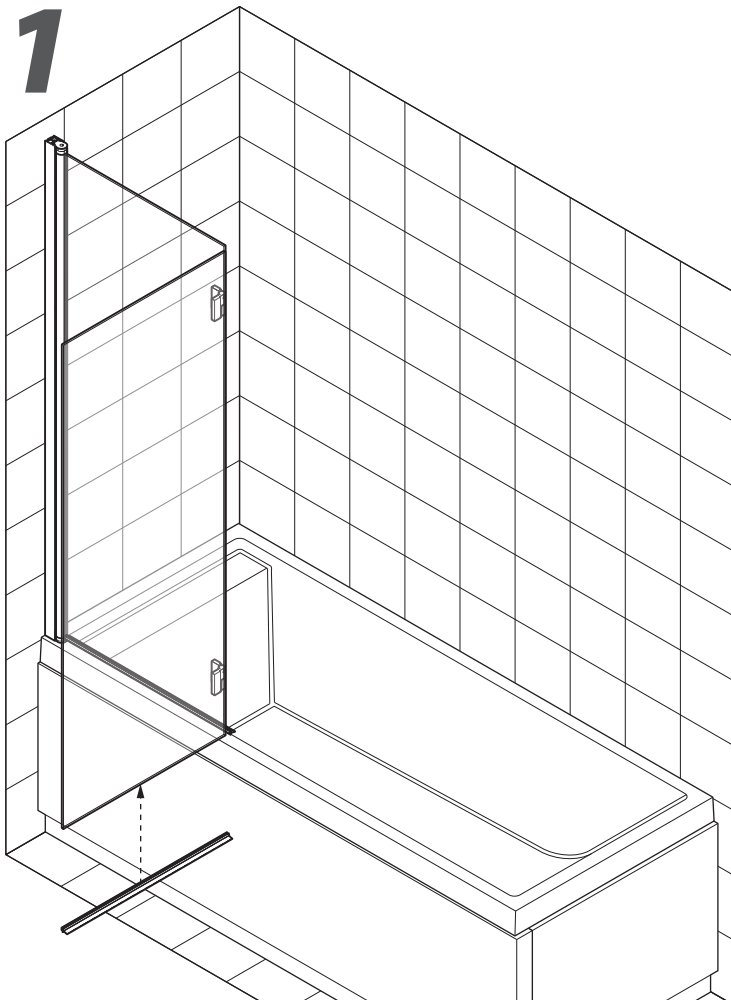
10.2



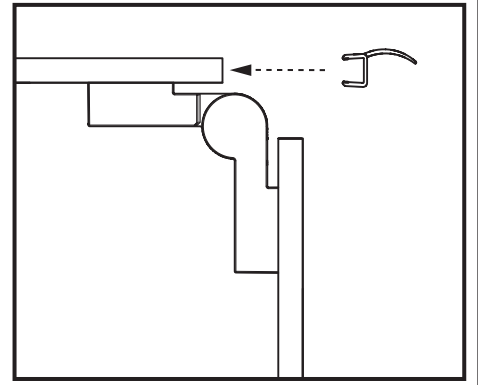
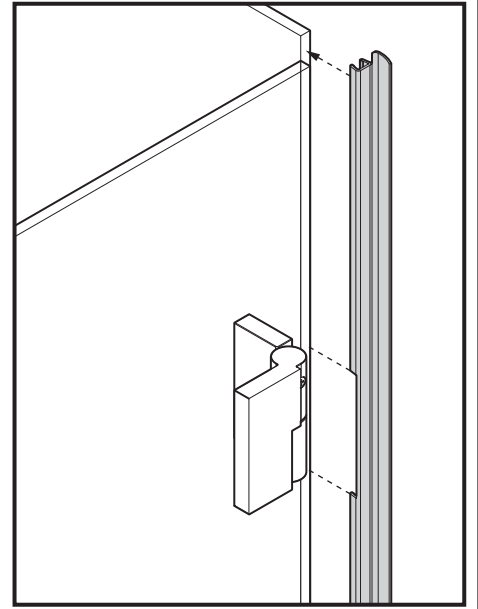
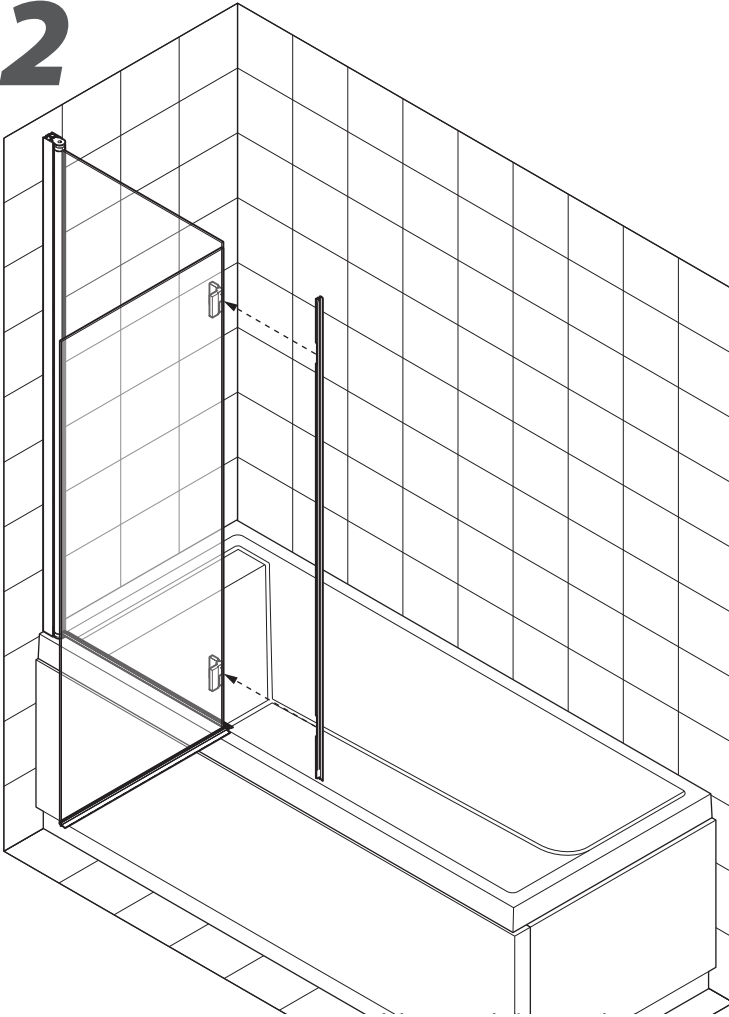
10.3



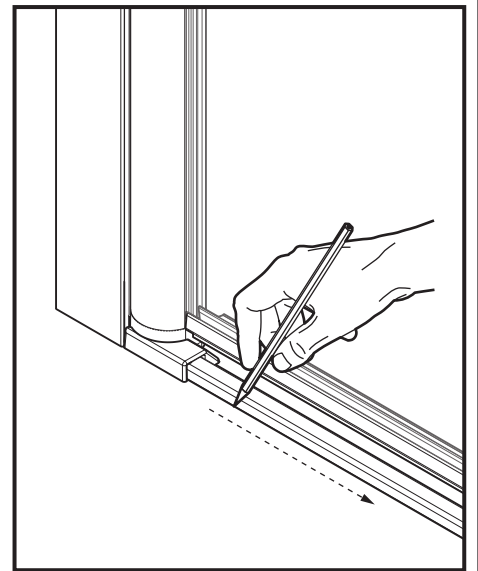
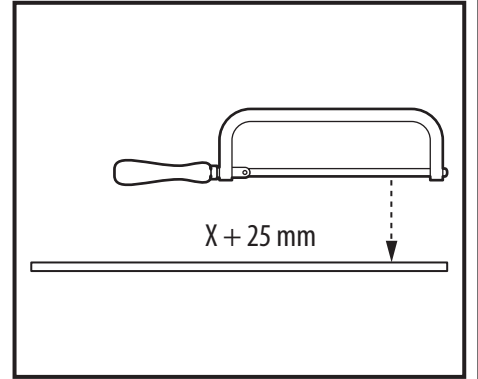
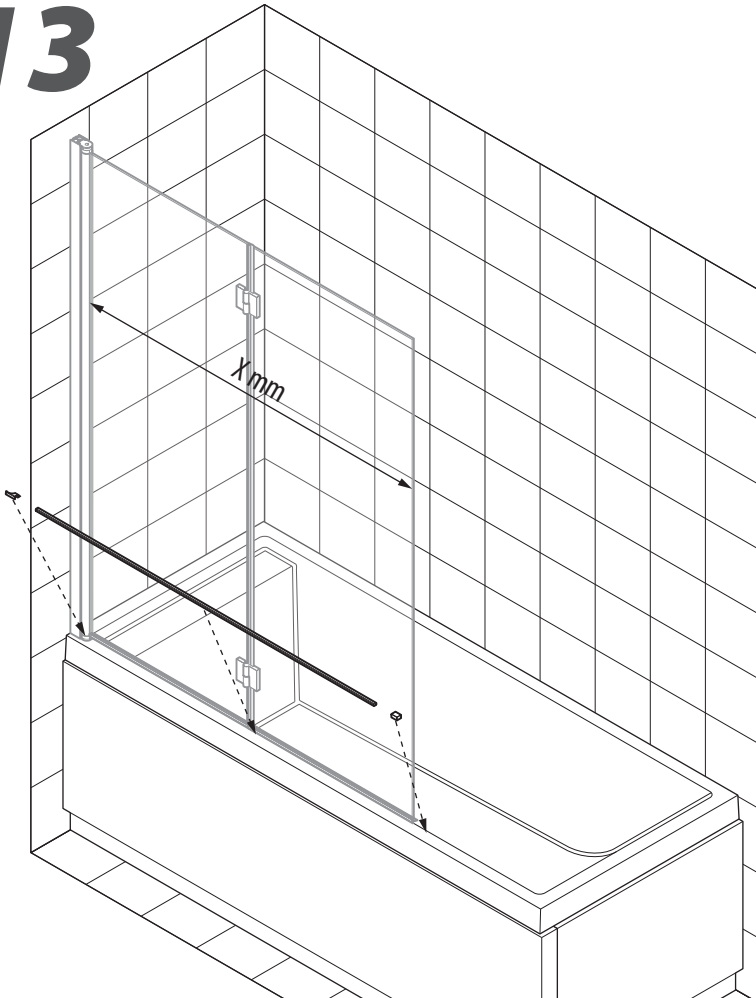
11



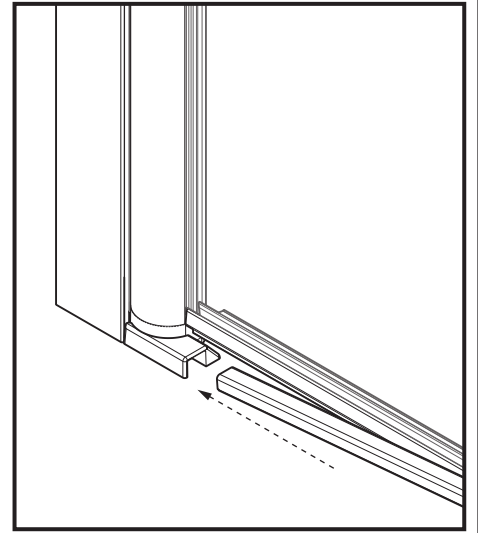
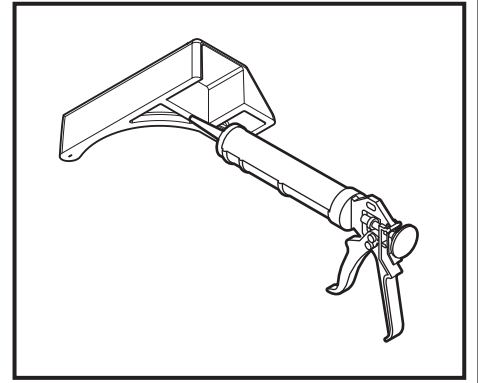
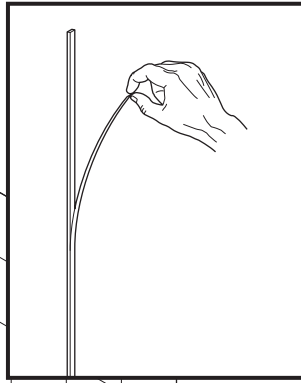
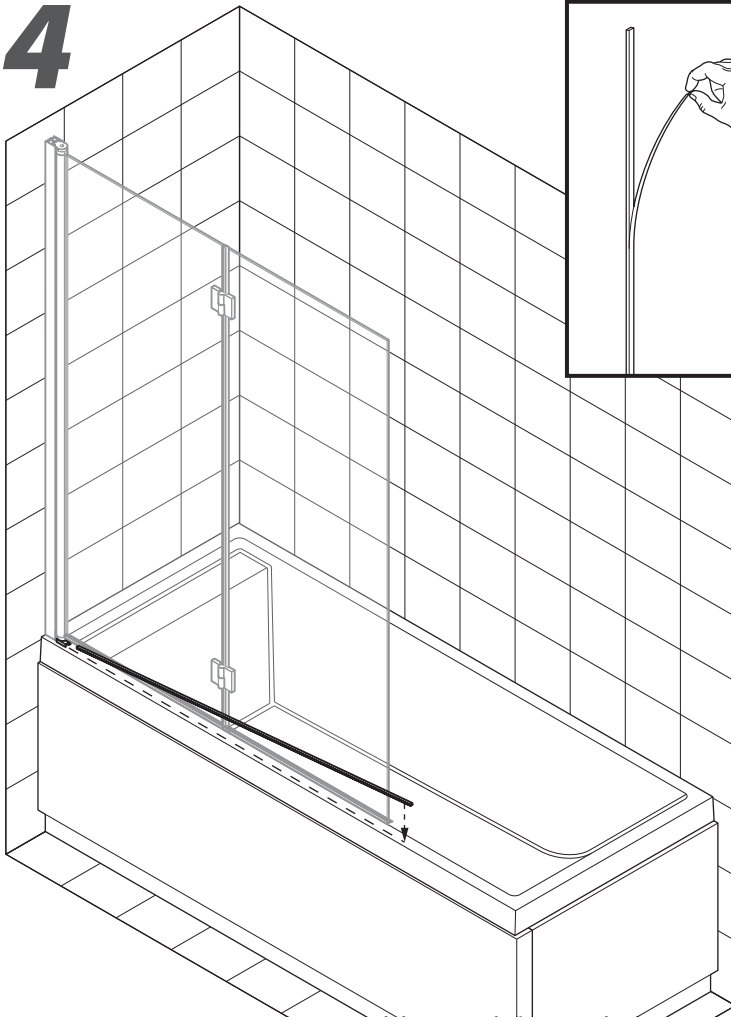
12



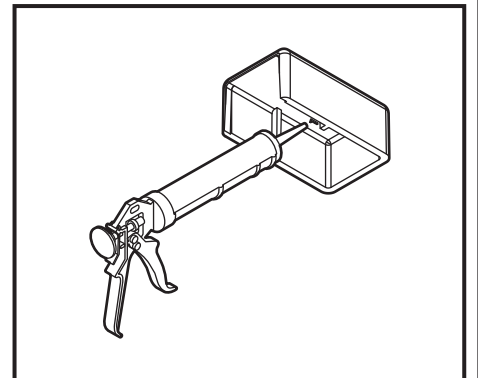
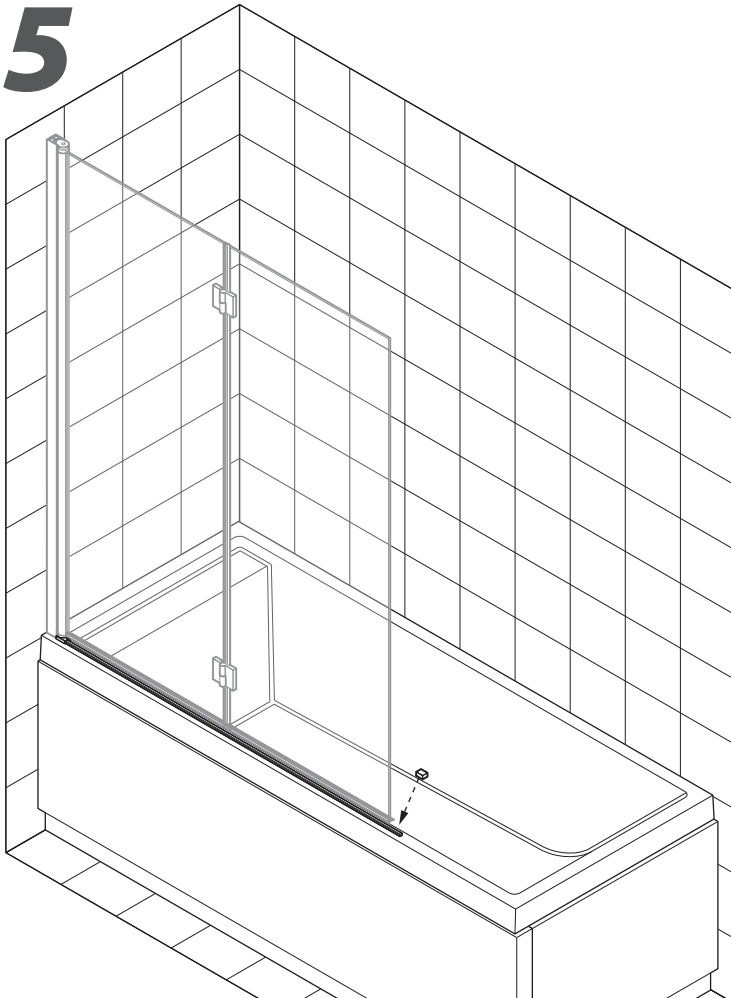
13



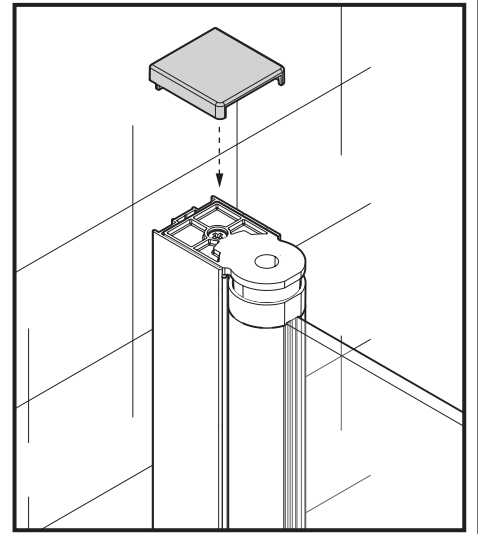
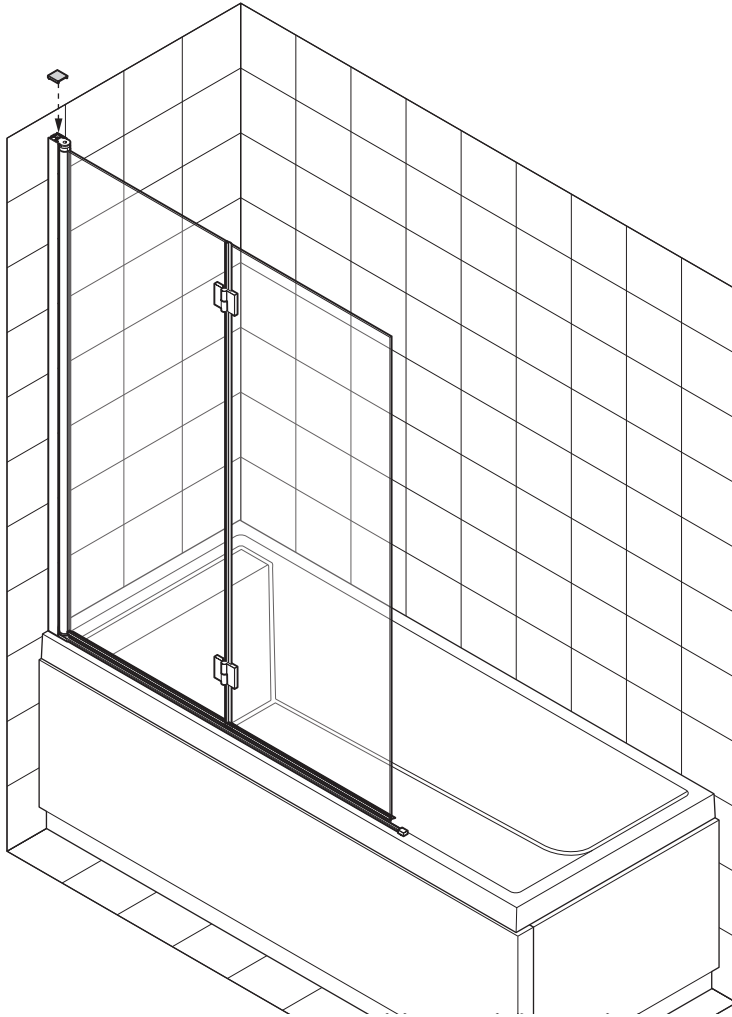
14



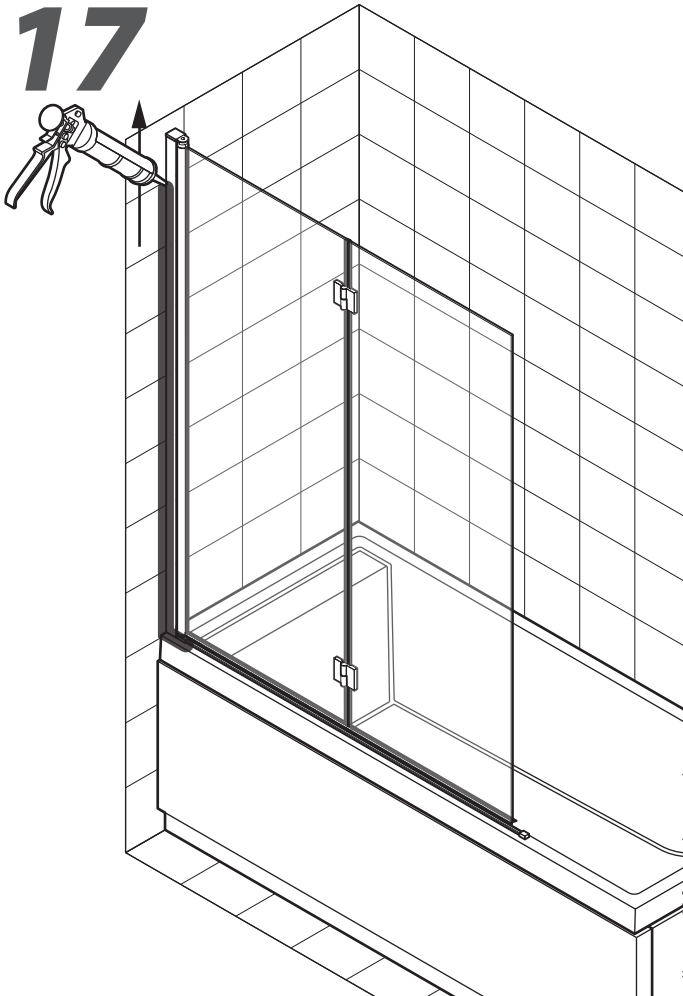
15



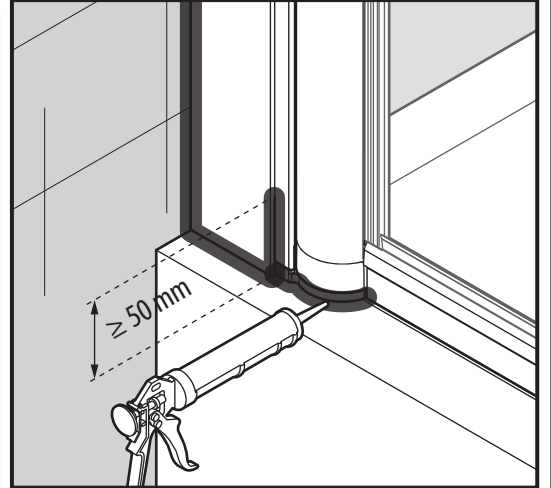
16



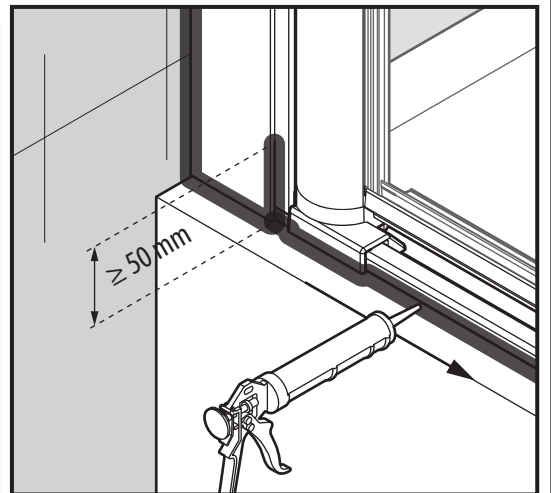
17



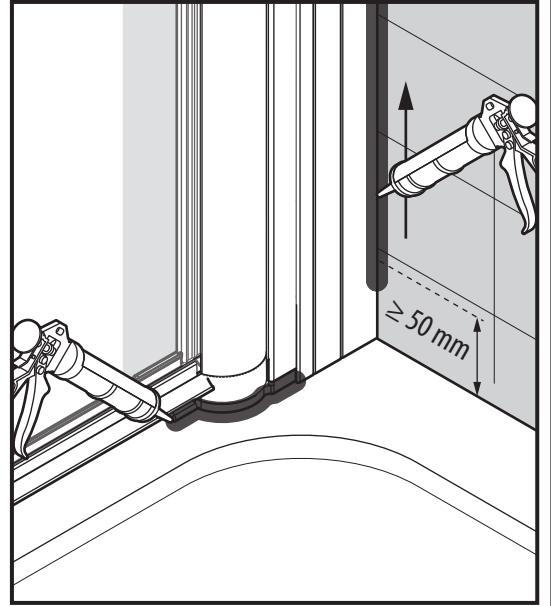
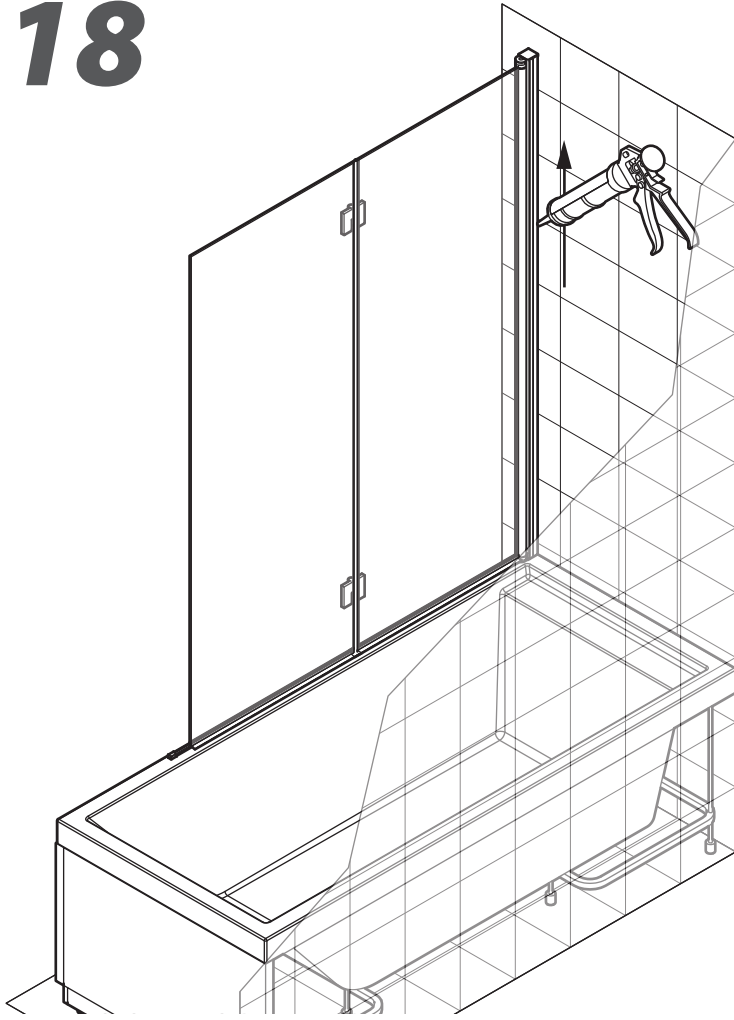
A



B



18



Note:
